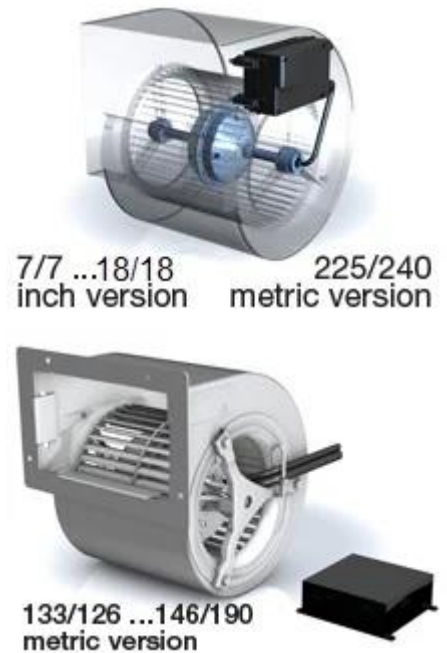


**Specification of: DDMP 8/7 T M6A0 DA5 230V-1F**

**High performance centrifugal fan DDMP**

Double width, double inlet (DWDI), direct drive, forward curved blades fan. Lap-jointed scroll made of galvanized steel (EN 10142), assembled through a high-technology roller-locked seaming. Straight cut off plate at fan discharge. Impeller with forward curved blades of galvanized steel plate, directly mounted on a brushless, permanent magnets, external rotor motor, without transmission losses, dynamically balanced according to DIN ISO 21940-11. The driver is a separate unit, connected to the fan motor, to power supply and to the control system with quick-connection plugs, ready for operation, without further configuration. Driver directly installed on the scroll, and factory-configured, for a plug and play solution: no further configuration is needed. Continuous speed control of the Drive System by 0 ... 10 V analogue signal, or with Modbus RS485-compliant interface. The complete drive system is in protection class IP 54. Power supply 230V – 50/60 Hz. Air performance ratings according to AMCA 210-07 (Fig. 12) and ISO 5801 (Fig. 69 c and par. 30.2 f).

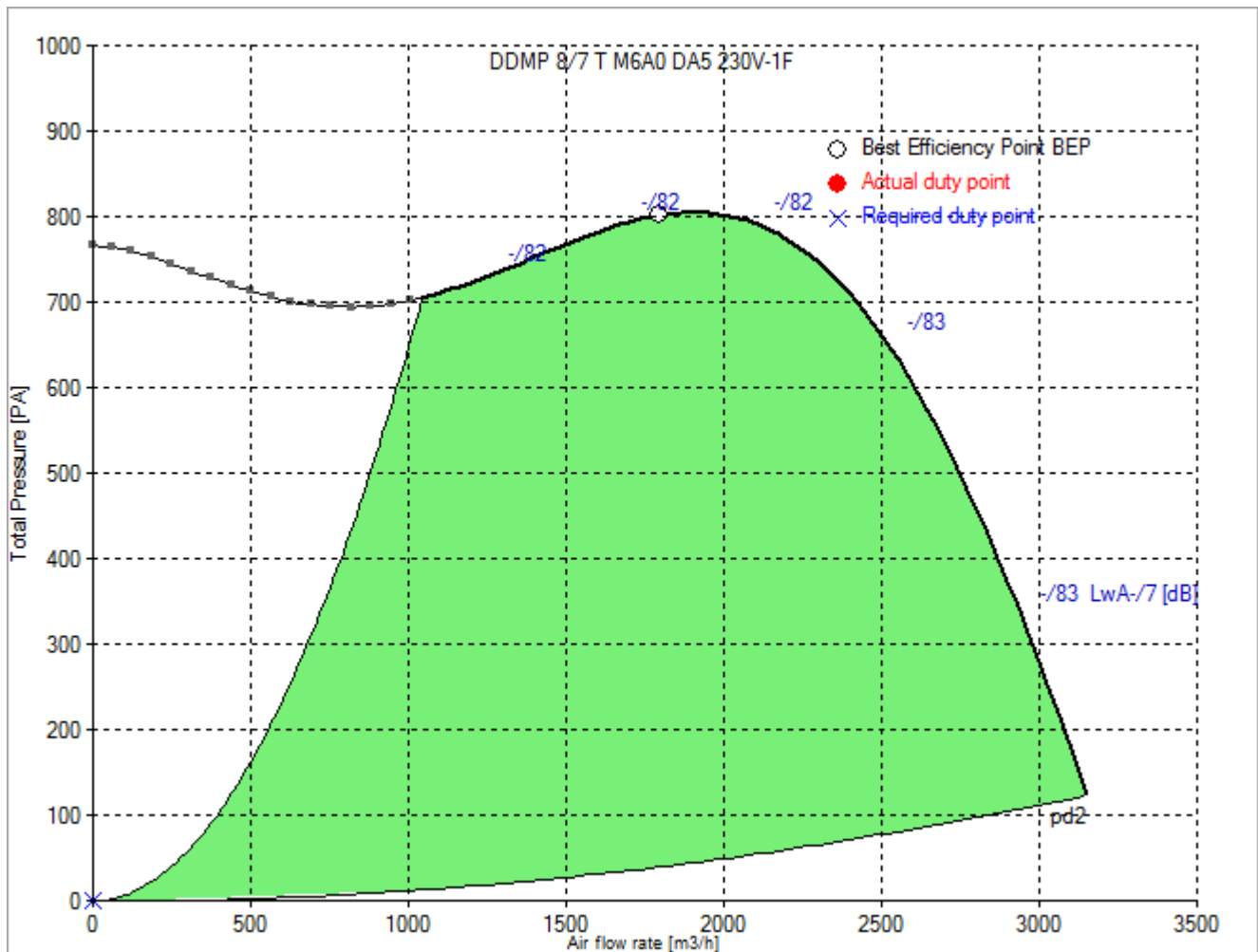


**Technical data of the fan: DDMP 8/7 T M6A0 DA5 230V-1F**

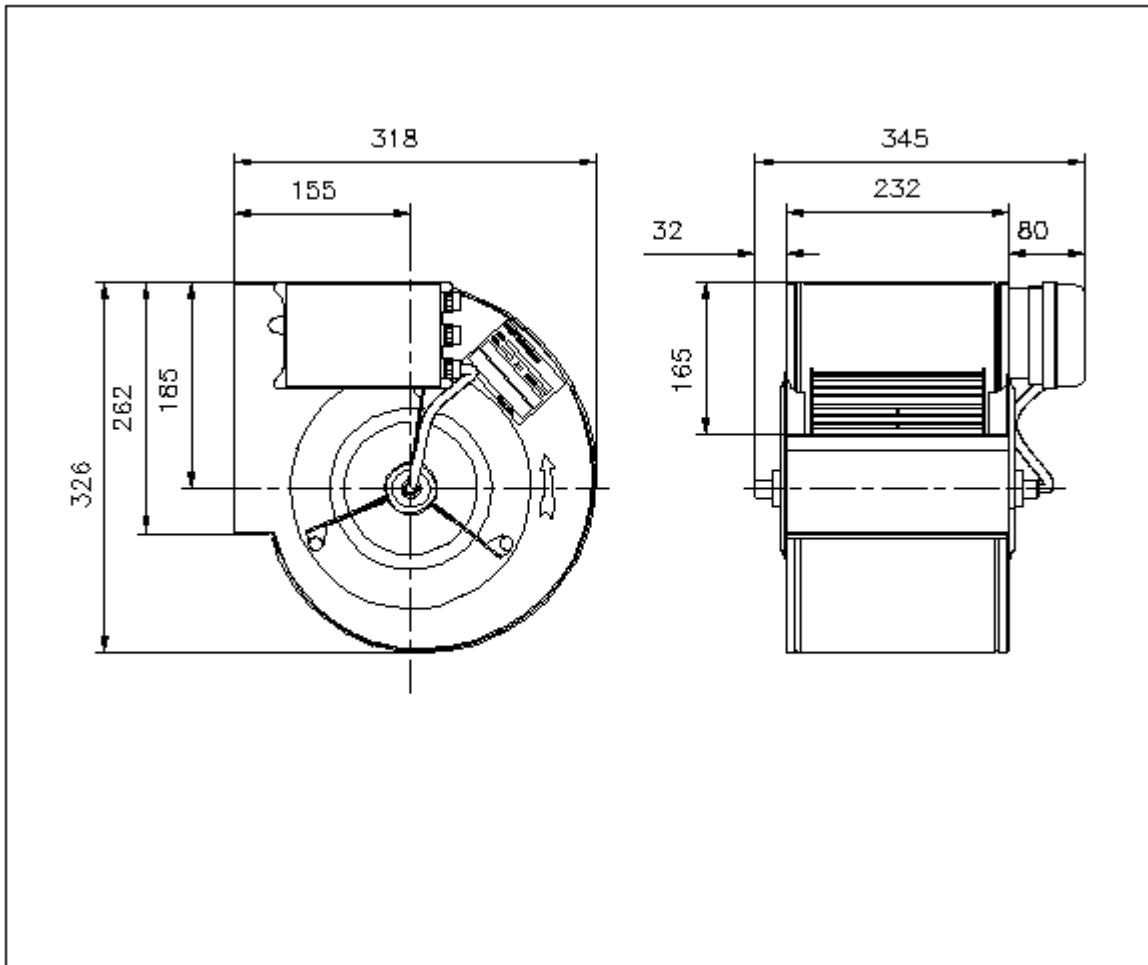
[fulfills the ErP requirements 2015](#)

Description	Value	Dimension
<b>Specified duty point</b>		
<b>Actual duty point</b>		
Installation acc. DIN 24163 Part 1		B
Reference density (Rho1)	1.20	kg/m <sup>3</sup>
Medium temperature (t)	20	C
Fan weight	9	kg
<small>This duty point can only be reached by using an inverter/controller for motor speed control!</small>		
<b>Rated data</b>		
Phases-Voltage-Frequency	1~230-50/60	V-Hz
Rated motor current (I <sub>N</sub> )	N/A	A
<b>operational limits</b>		
Max. absorbed power (P <sub>1max</sub> )	1.052	kW
Temperature range of conveying medium (t <sub>min</sub> ... t <sub>max</sub> )	-20...40	C
<b>ErP-Data at best efficiency and density - kg/m<sup>3</sup></b>		
measurement- / efficiency category	B	/ total
design status of VSD	VSD is integrated	
overall efficiency (ETA <sub>opt</sub> )	53.0	%
achieved efficiency grade (N <sub>ist</sub> )	59.8	
required efficiency grade in 2013 / 2015 (N)	42 / 49	
Air flow rate (V <sub>opt</sub> )	1798	m <sup>3</sup> /h
pressure rise (dp <sub>opt</sub> )	804	Pa
Fan speed (n <sub>vopt</sub> )	1998	min <sup>-1</sup>
motor power input (P <sub>1opt</sub> )	0.758	kW
specific ratio (d <sub>dpopt</sub> )	1.008	

## Fan curve to DDMP 8/7 T M6A0 DA5 230V-1F



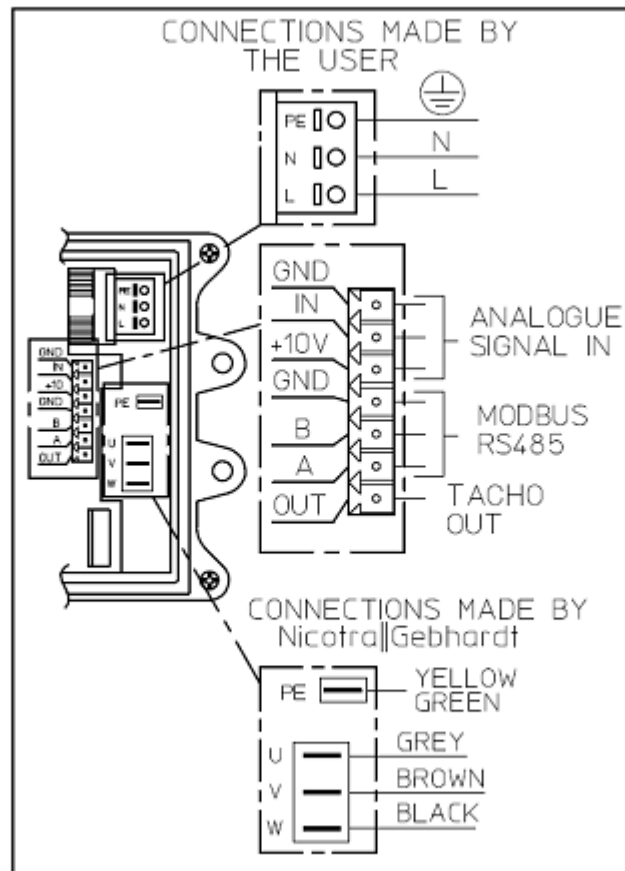
## Dimensions to DDMP 8/7 T M6A0 DA5 230V-1F



Rotation:  
Handing:

RD  
90

## Wiring diagram of the fan DDMP 8/7 T M6A0 DA5 230V-1F



DDMP 1KW

28-11-2017 7W

Wiring diagram for connection to: [mains - VSD - motor](#)  
 Rotation: [LG](#)